

## Microphones 4 RF condenser microphone (long gun)

# MKH 70-1

### Description

**Cat. No. 03149**

The MKH 70 is a lightweight long gun microphone. Its excellent directivity is particularly suited to applications undertaken in difficult conditions, such as high background noise and distance microphone positioning. Its frequency-independent directivity prevents sound colouration from off-axis sound sources.

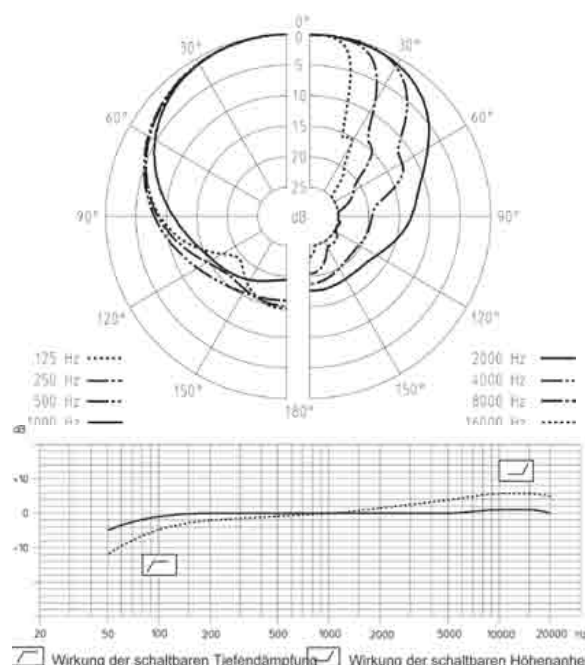


### Delivery includes

1 MKH 70

### Recommended Accessories

Battery power supply unit	MZA 14 P 48 U	Cat. No.02960
Table stand	MZT 100	Cat. No.01883
Velourised foam windshield	MZW 61	Cat. No.03194
Suspension/pistol grip	MZS 20-1	Cat. No.03609
Basket windshield	MZW 60-1	Cat. No.03607
Hairy cover	MZH 60-1	Cat. No.03224



### Features

- Exceptionally low inherent self-noise
- Transformerless and fully floating balanced output
- Infra-sonic cut-off filter
- Symmetrical transducer technology ensures extremely low distortion
- Switchable pre-attenuation, switchable roll-off filter and switchable treble emphasis
- Rugged and weather-proof
- Black, anodised light metal body

### Technical data

Pick-up pattern	super-cardioid/lobar
Sensitivity in free field, no load (1kHz)	50 (15) mV/Pa
Nominal impedance	150 Ohm
Min. terminating impedance	1000 Ohm
Equivalent noise level	5 (13) dB
Equivalent noise level weighted as per CCIR 468-3	16 (24) dB
Power supply	Phantom 48 +- 4 V
Current consumption	2 mA
Dimensions	d 25 x 410 mm
Weight	180 g

### Profile

Super-cardioid/lobar (long gun) interference tube microphone with infra-sonic cut-off filter, switchable pre-attenuation, switchable roll-off filter and switchable treble emphasis. Frequency response 50 - 20,000 Hz, sensitivity (free field, no load) 50 (15)

**Microphones 4**  
**RF condenser microphone (long gun)**

**MKH 70-1**

**Cat. No. 03149**

**Description**

The MKH 70 is a lightweight long gun microphone. Its excellent directivity is particularly suited to applications undertaken in difficult conditions, such as high background noise and distance microphone positioning. Its frequency-independent directivity prevents sound colouration from off-axis sound sources.

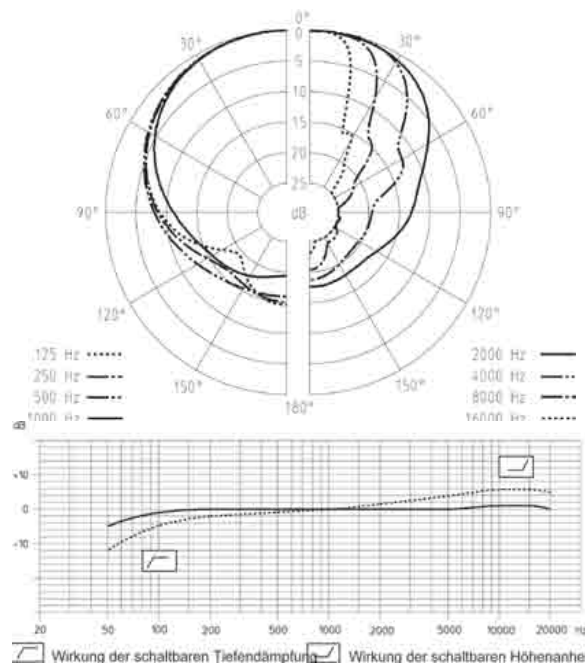


**Delivery includes**

1 MKH 70

**Recommended Accessories**

Battery power supply unit	MZA 14 P 48 U	Cat. No.02960
Table stand	MZT 100	Cat. No.01883
Velourised foam windshield	MZW 61	Cat. No.03194
Suspension/pistol grip	MZS 20-1	Cat. No.03609
Basket windshield	MZW 60-1	Cat. No.03607
Hairy cover	MZH 60-1	Cat. No.03224



mV/Pa at 1 kHz,  
 nominal impedance 150 Ohm, min. terminating impedance 1 kOhm, equivalent noise level A-weighted 5 (13) dB, CCIR-weighted 16 (24) dB, max. SPL 124 (132) dB at 1 kHz, phantom powering  $48 \pm 4$  V, supply current 2 mA, dimensions  $\varnothing 25 \times 410$  mm, weight 180 g. Values in parentheses with attenuator switched on (-10 dB).